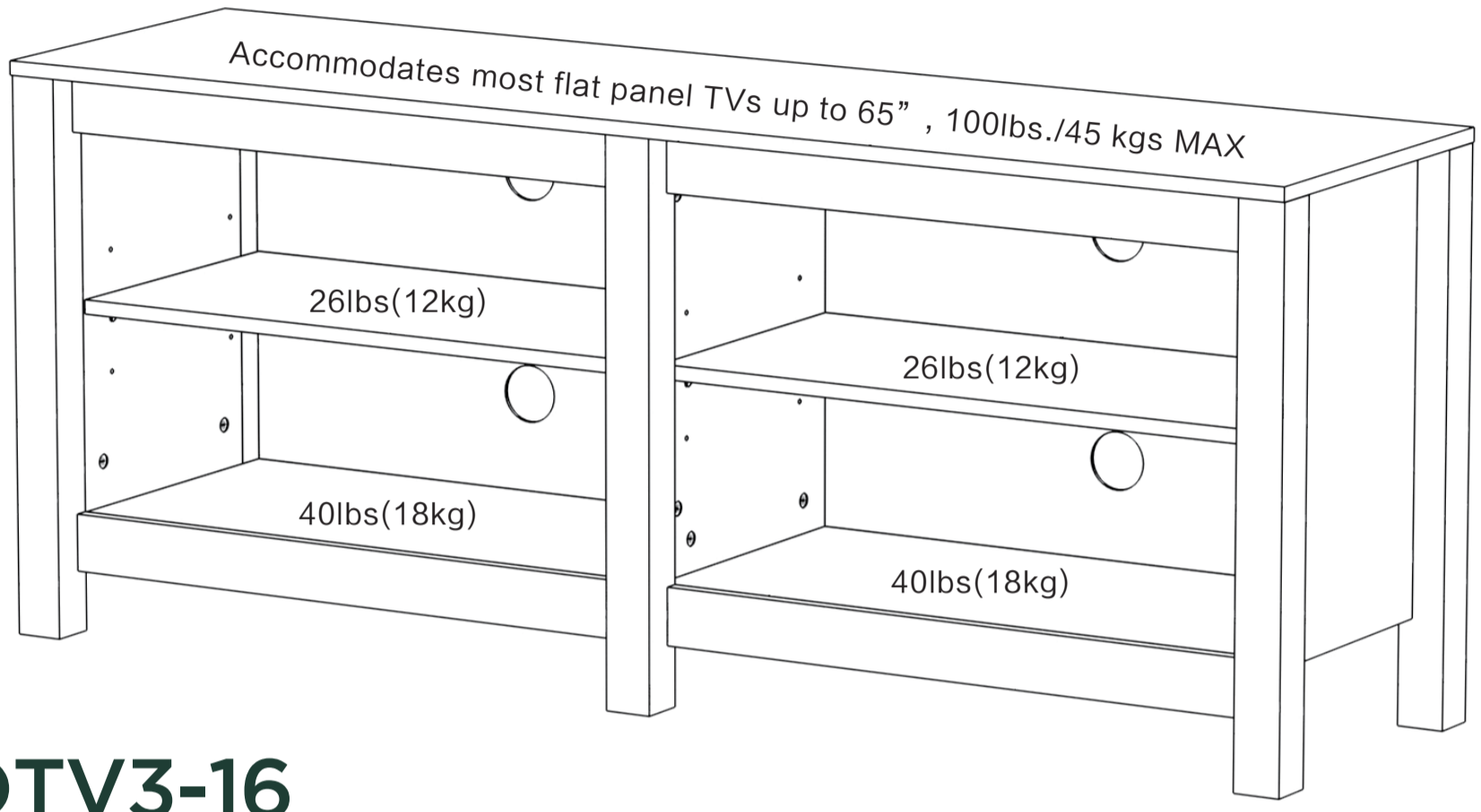
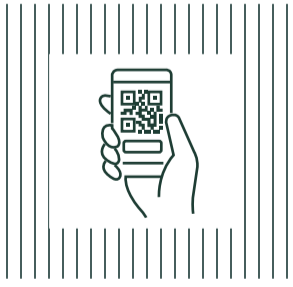
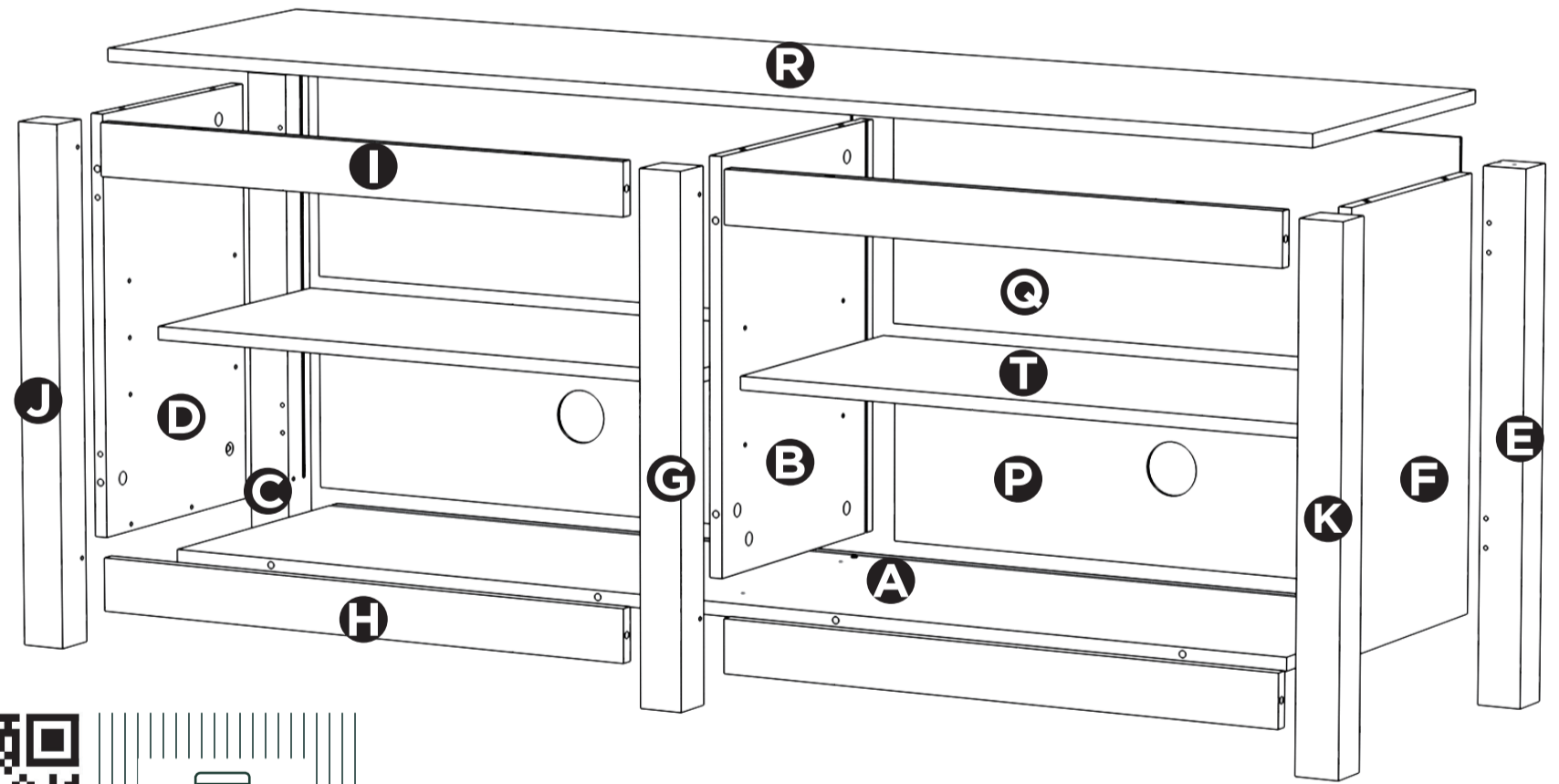


Easy as 1-2-3 Assembly Instruction



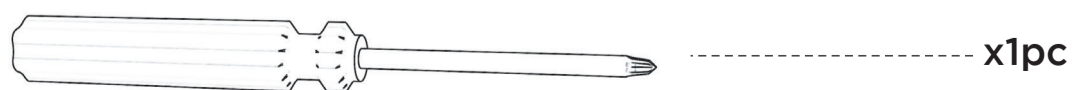
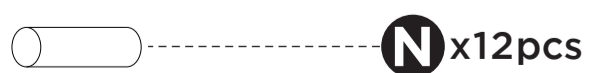
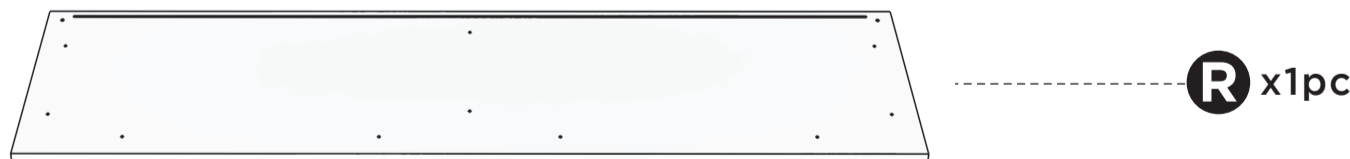
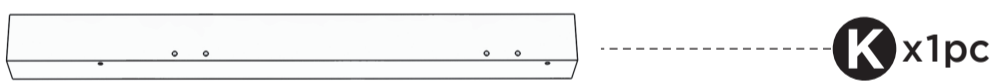
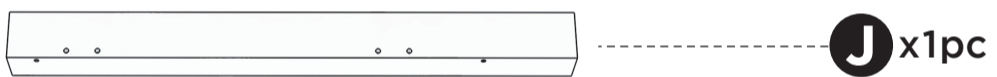
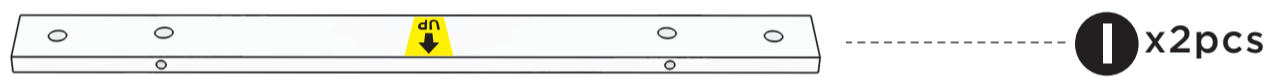
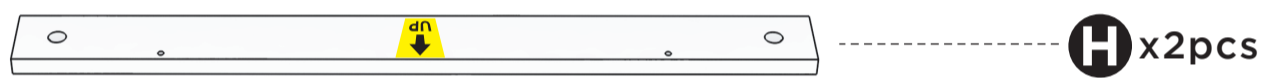
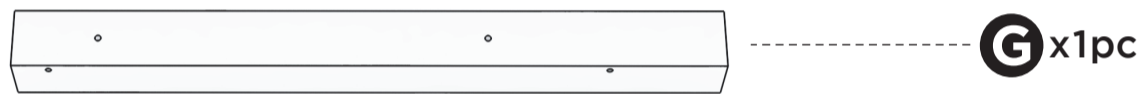
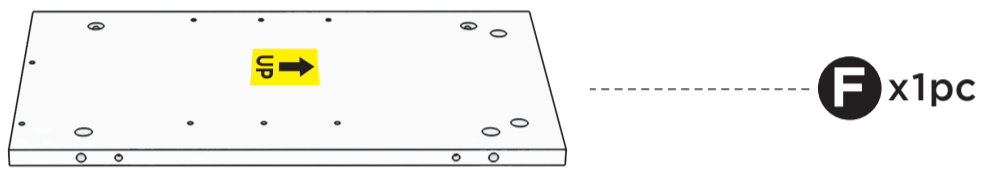
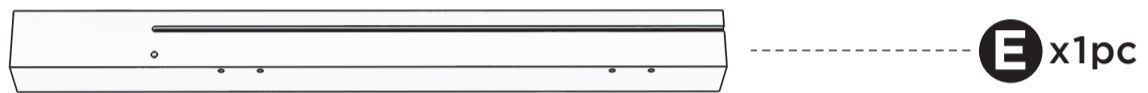
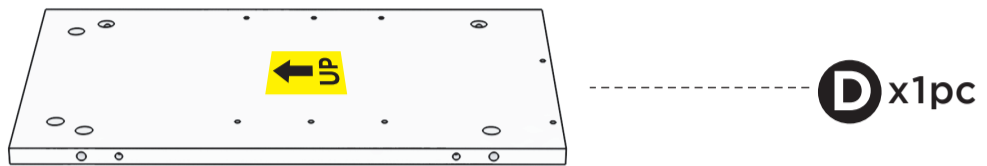
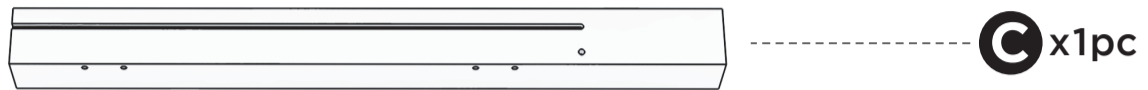
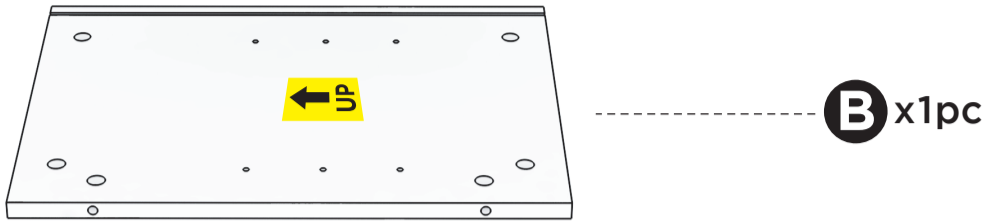
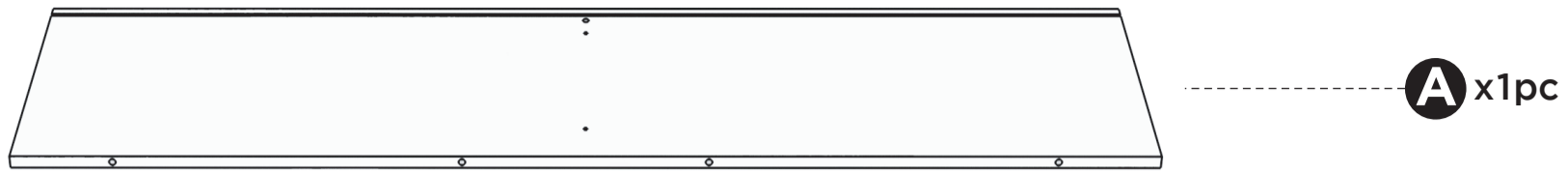
UTOTV3-16



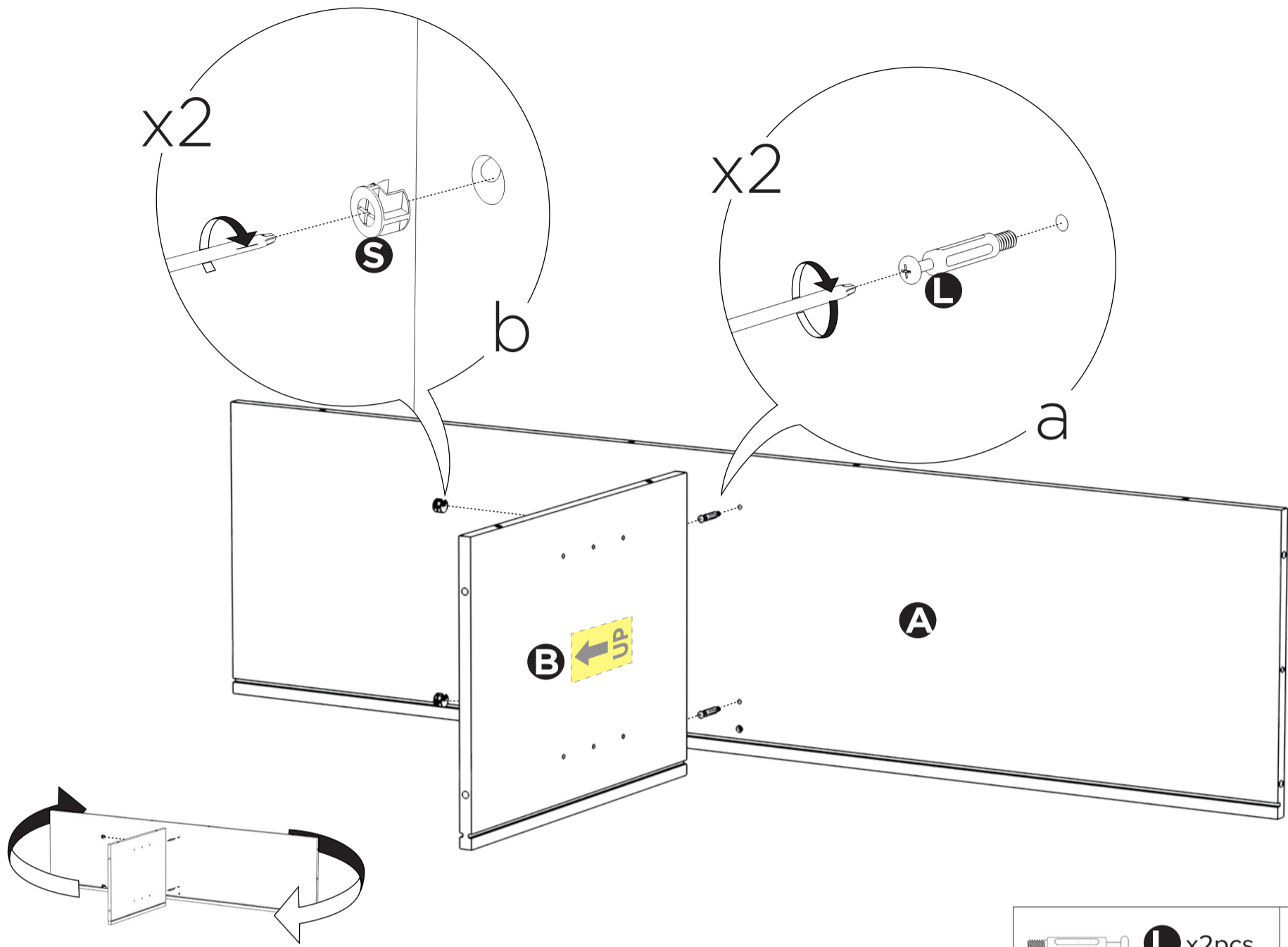
THIS PRODUCT REQUIRES ADULT ASSEMBLY

If any part is missing or if you have any questions regarding the product, please call our customer service team or send us an email and have this assembly manual open to the components list ready to provide the model name and component number.

Components



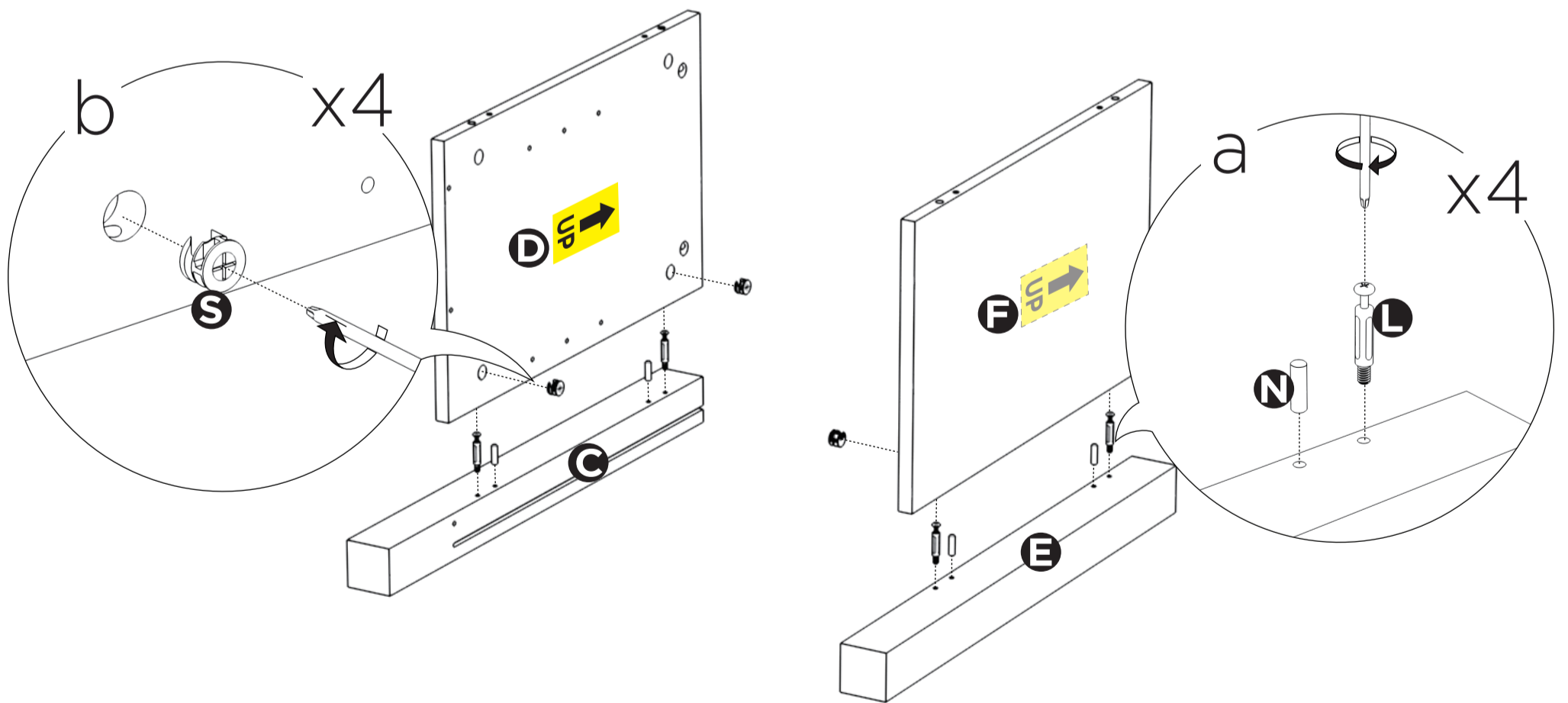
1




 **L** x2pcs

 **S** x2pcs

2

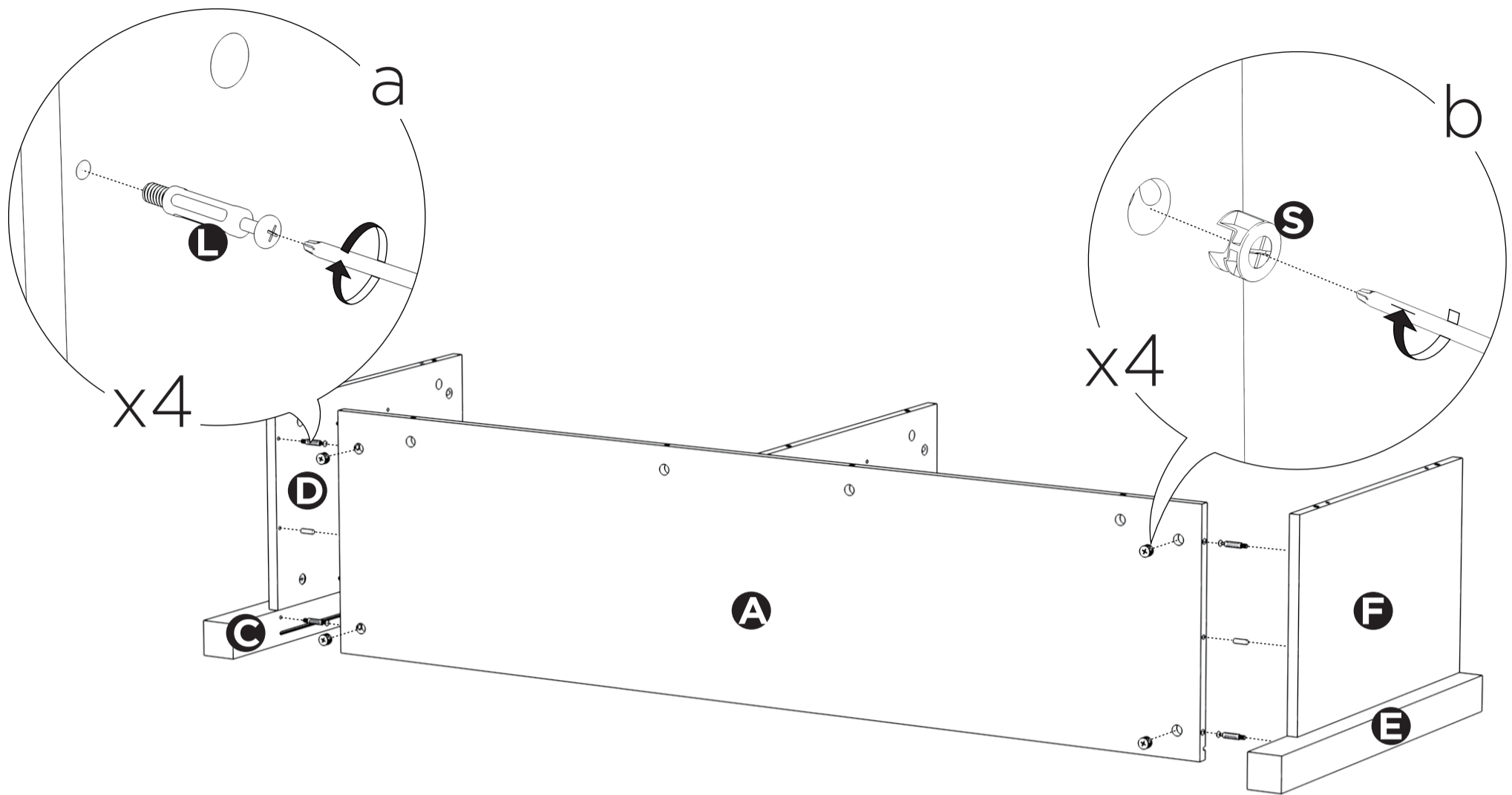


 **L** x4pcs

 **S** x4pcs

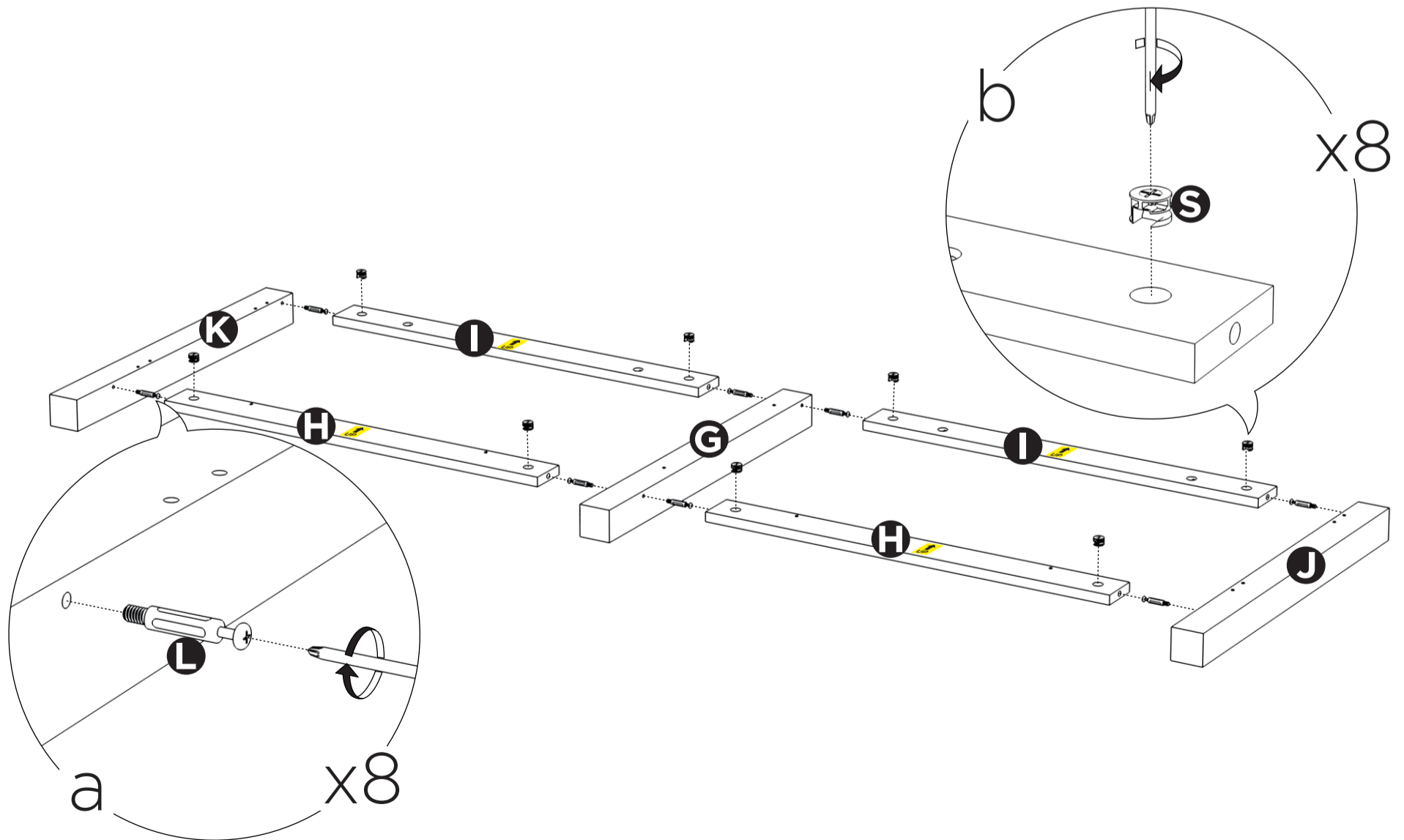
 **N** x4pcs

3



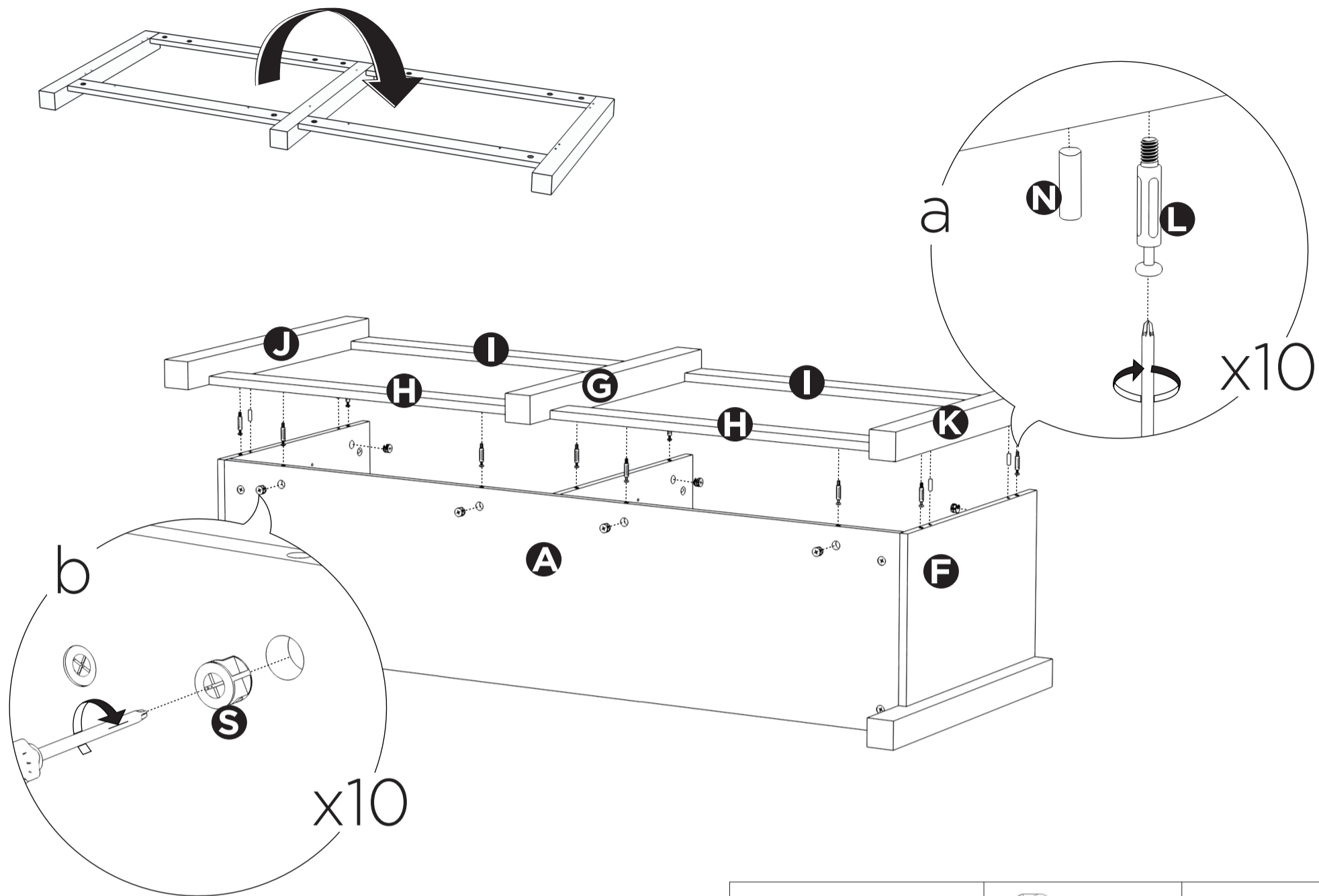
-  **L** x4pcs
-  **S** x4pcs
-  **N** x2pcs

4



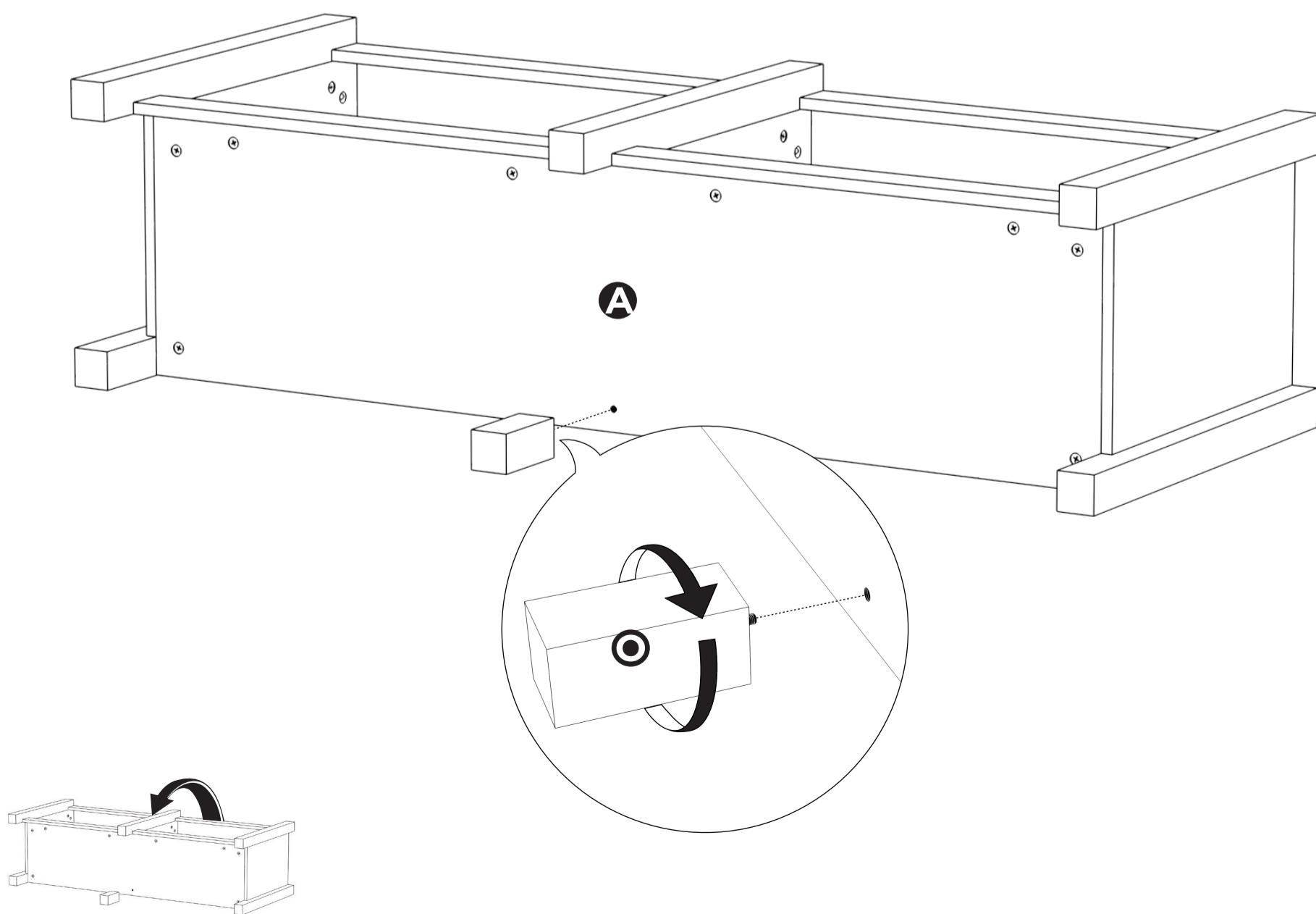
-  **L** x8pcs
-  **S** x8pcs

5

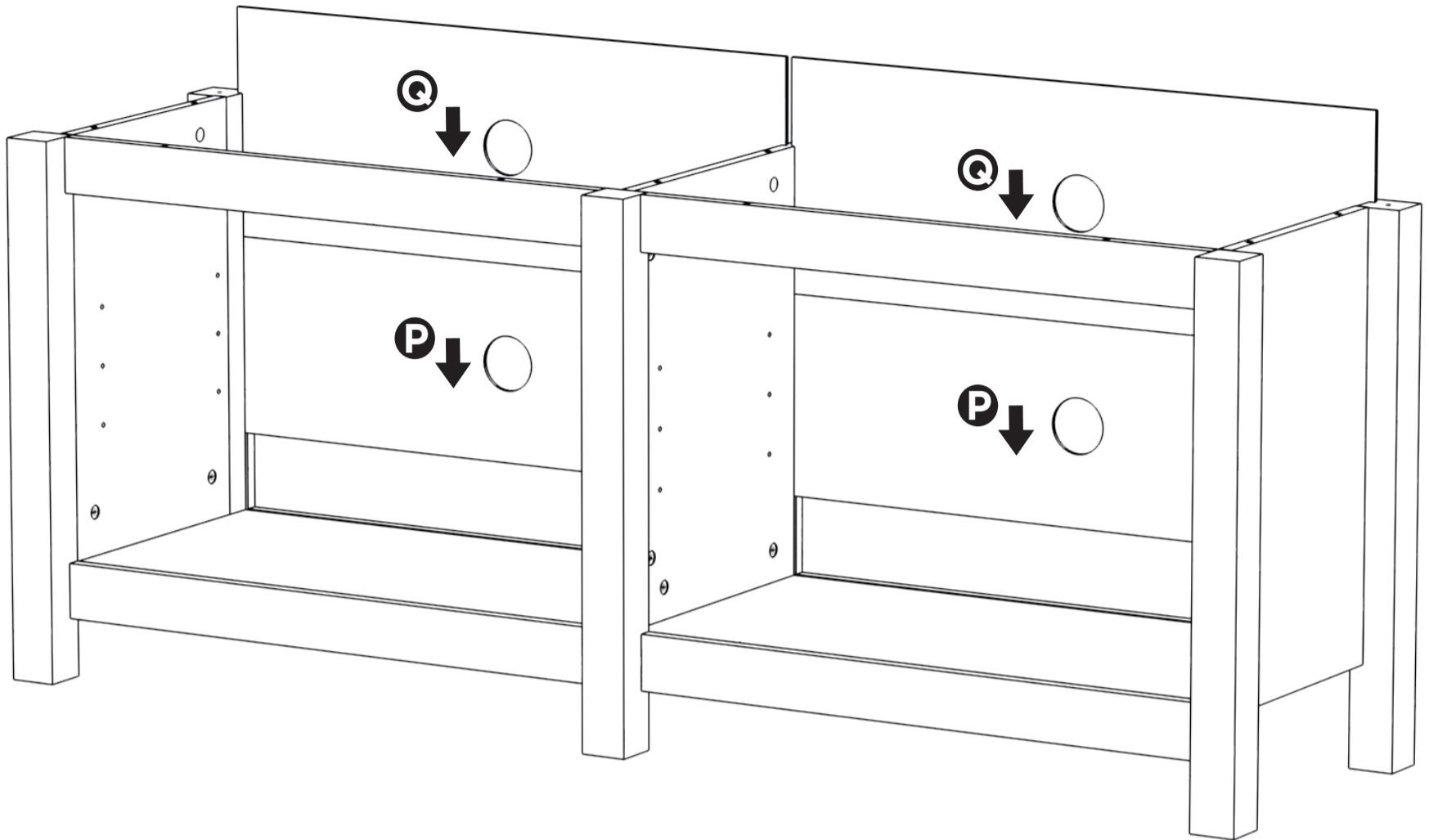


- L x10pcs
- S x10pcs
- N x4pcs

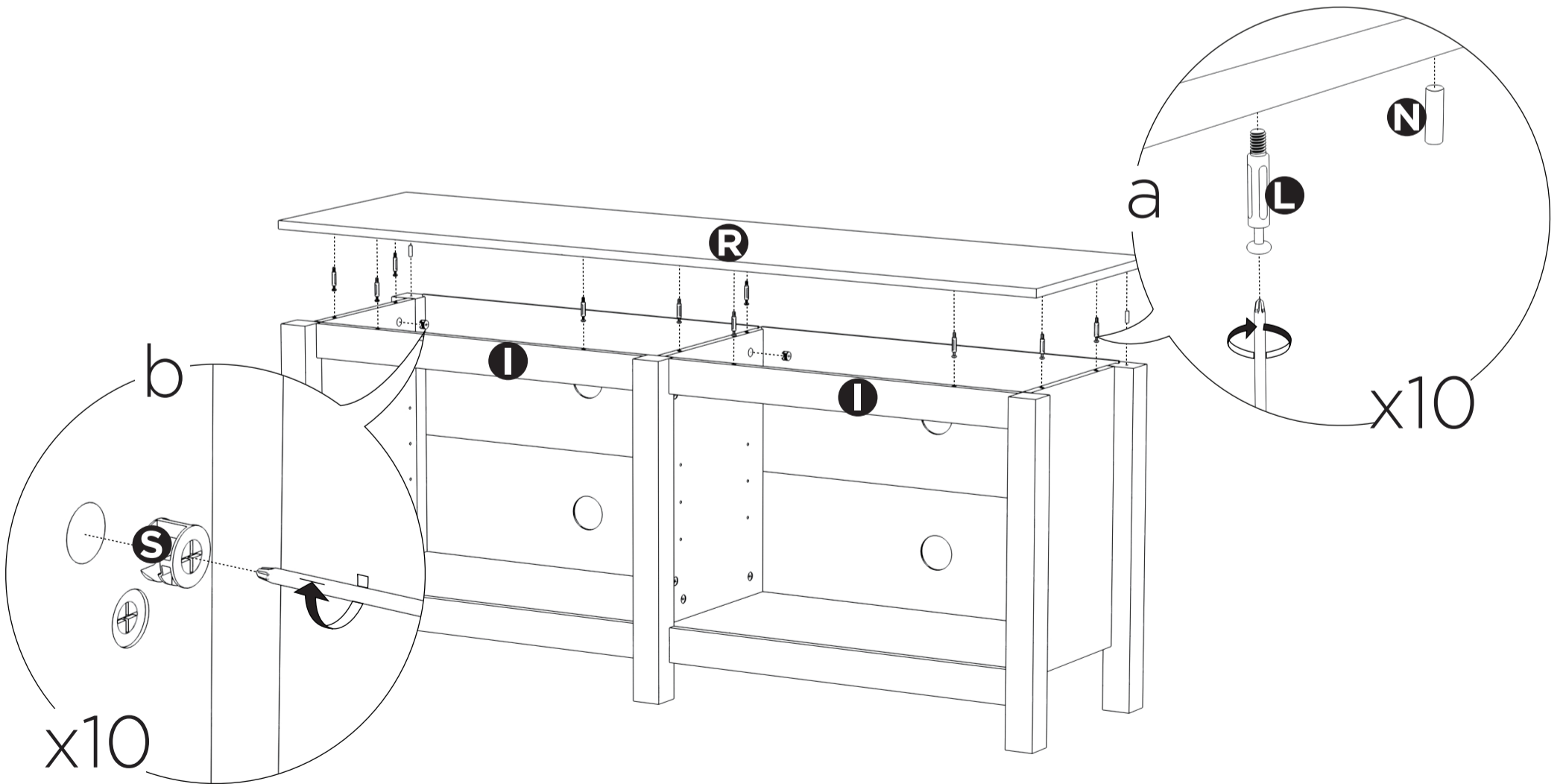
6



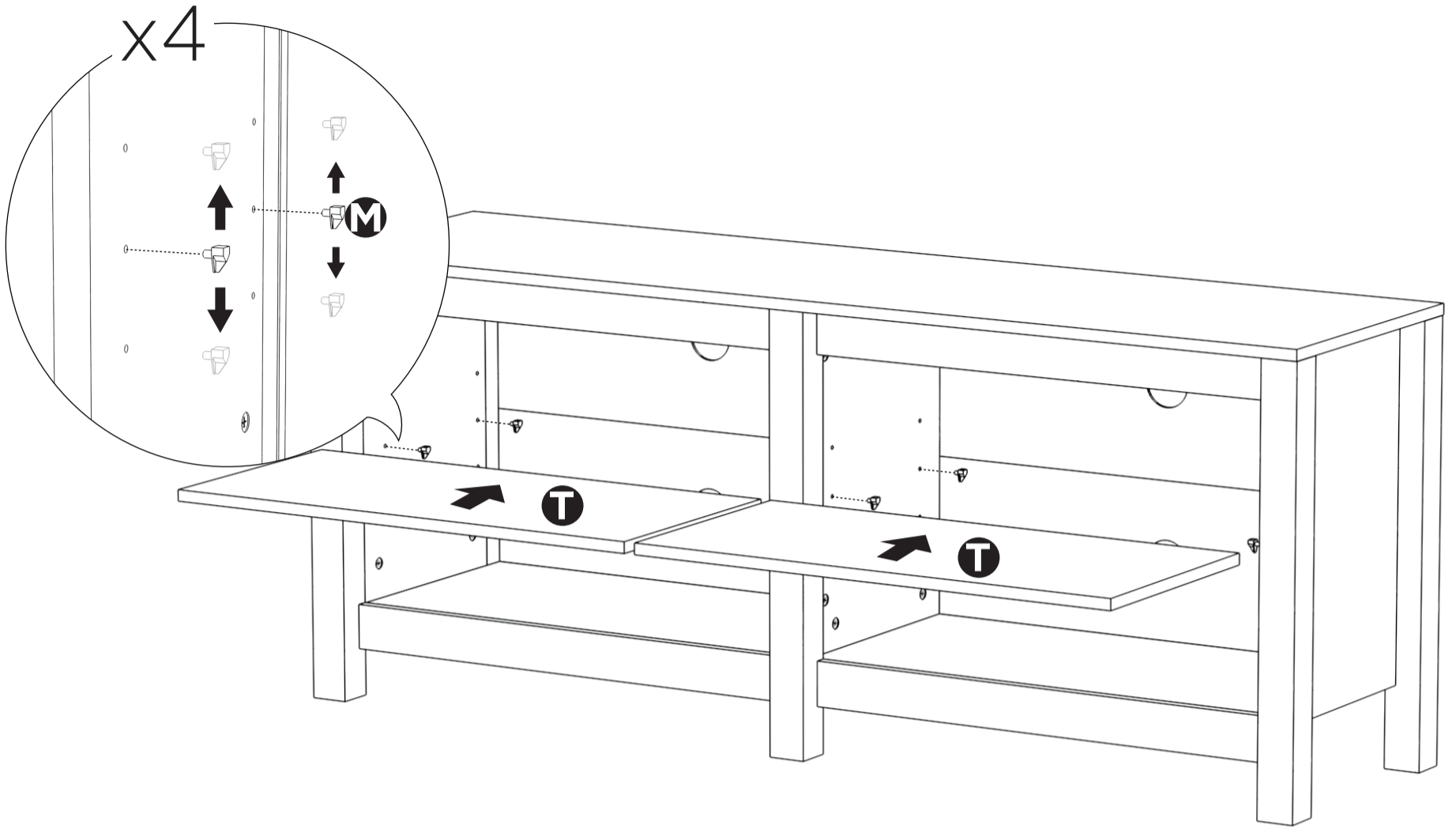
7



8

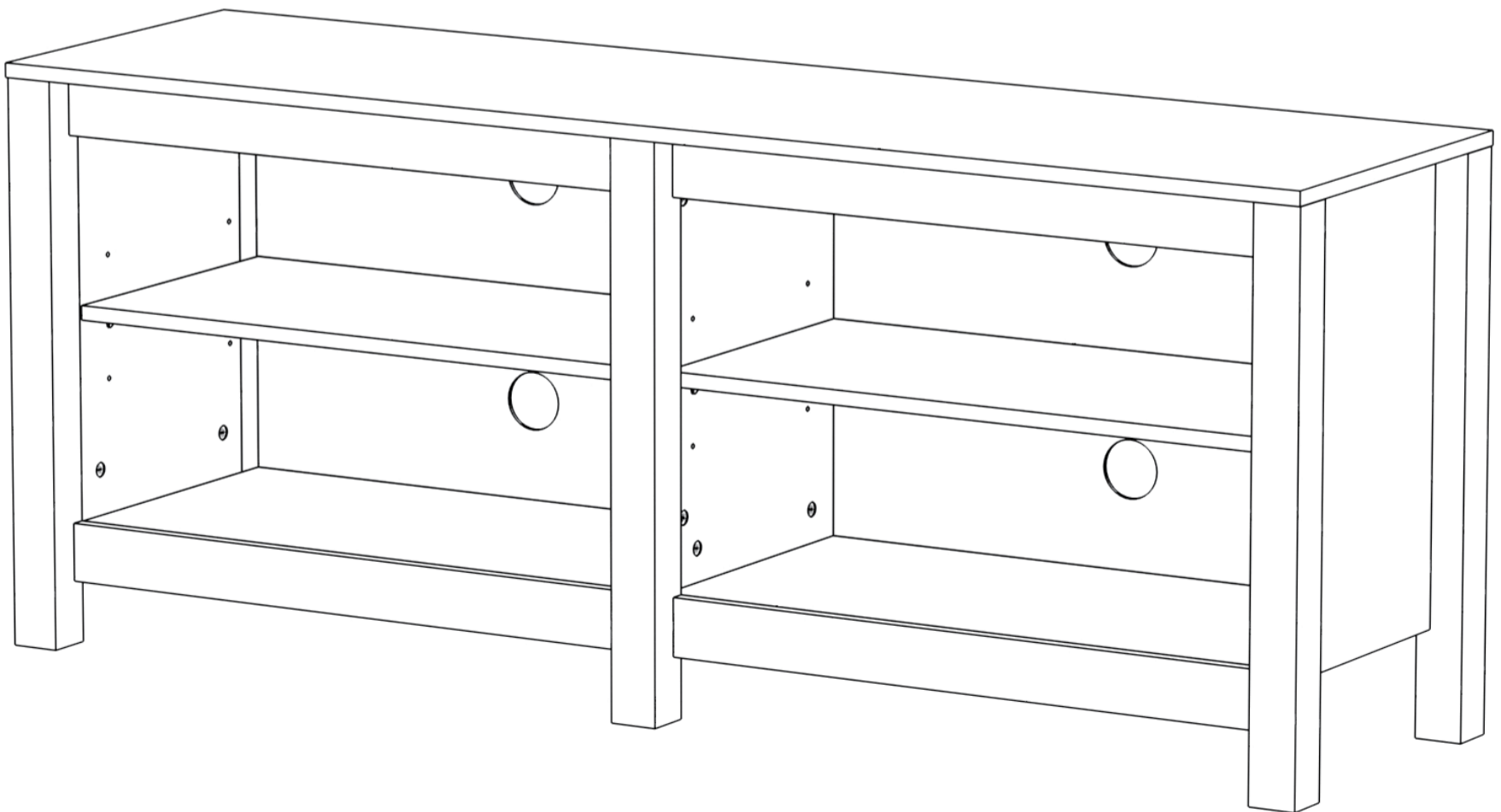


9



 **M**x8pcs

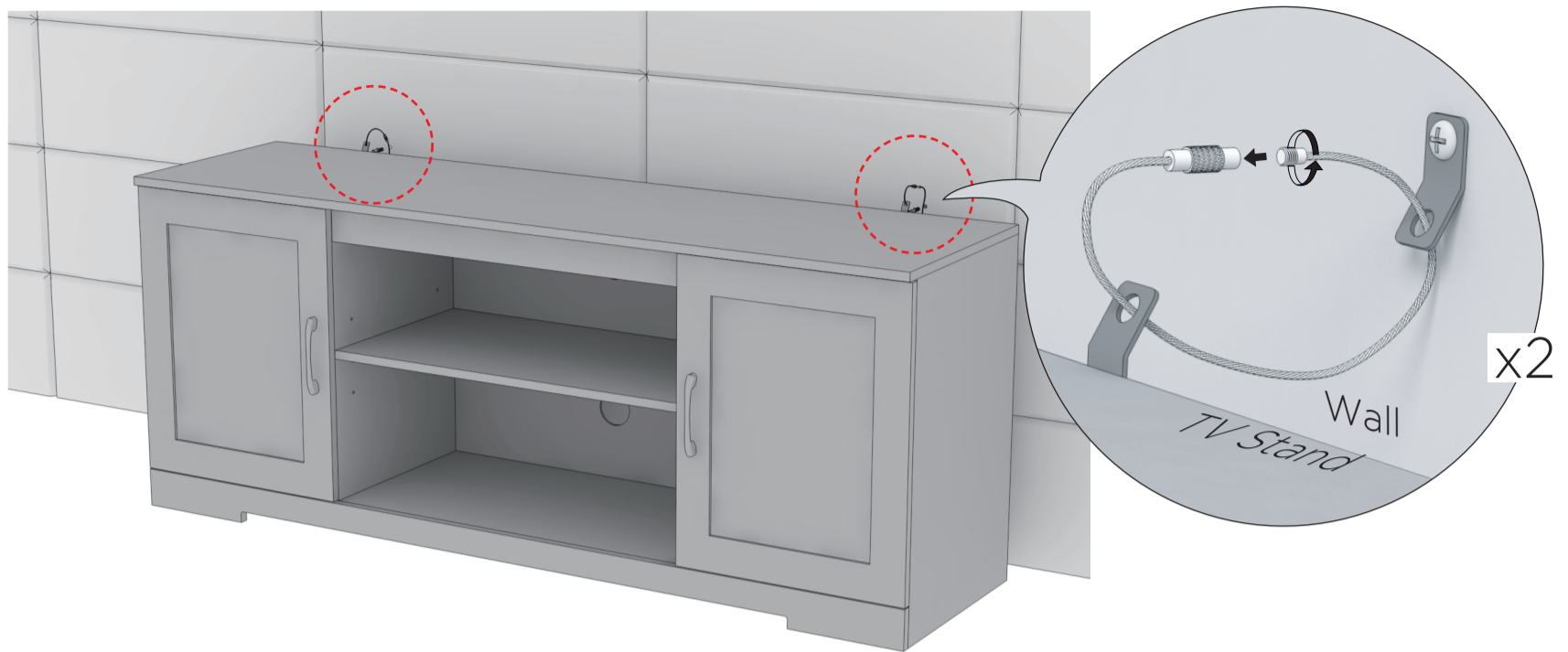
10



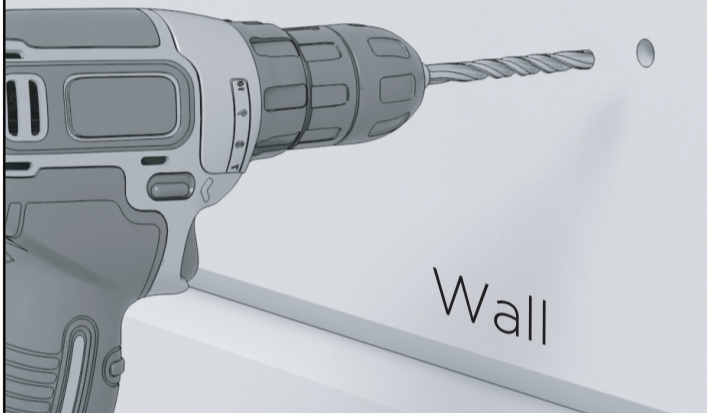
All done

TV Stand Tipover Kit

For use on all TV stand models



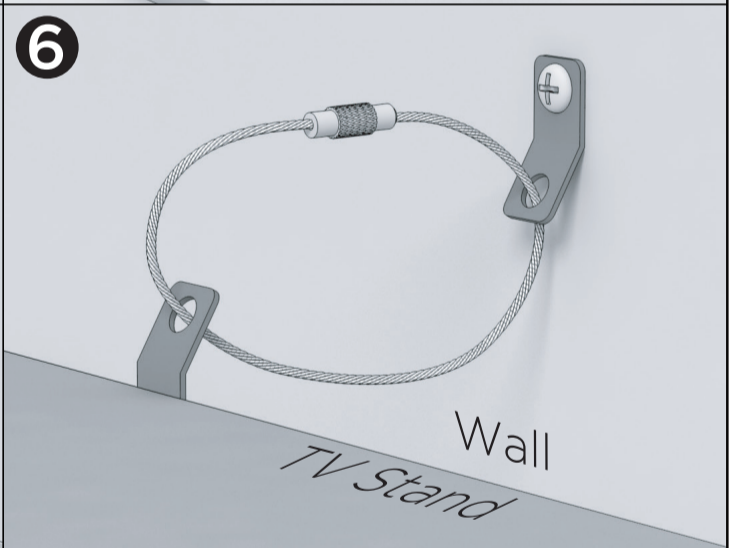
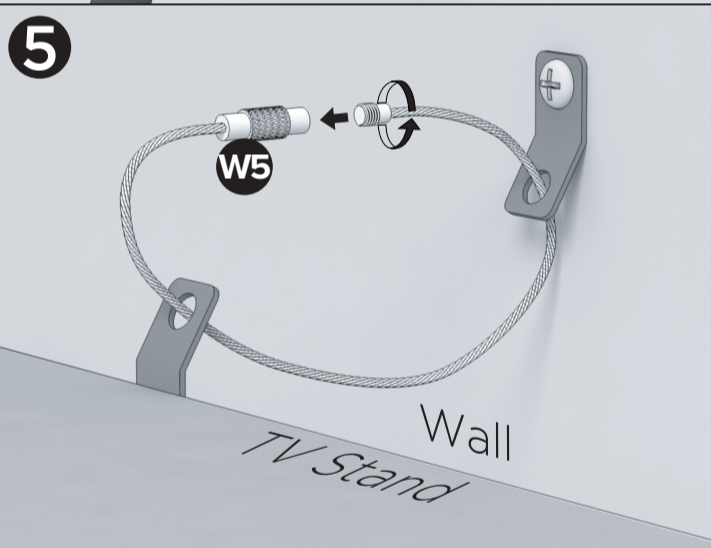
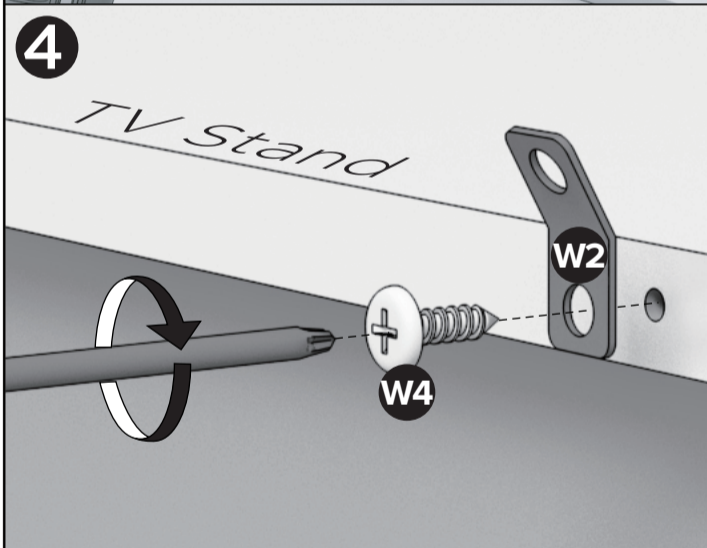
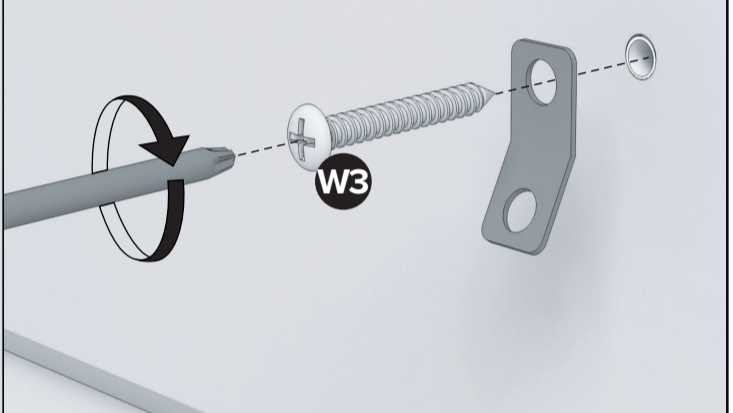
1 Drill bit diameter would be dependent on wall anchor we use.



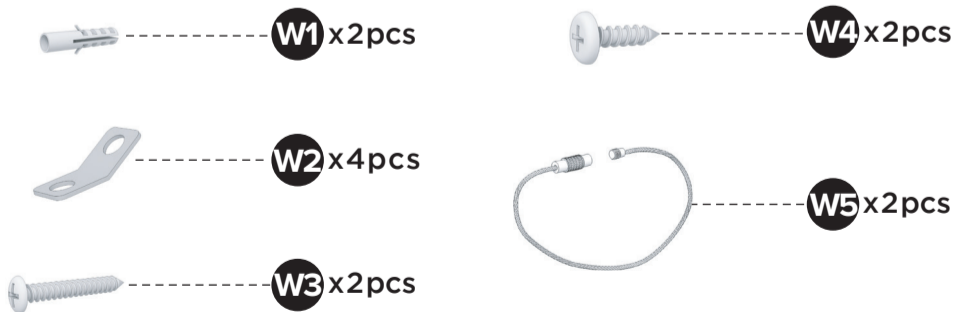
2



3



Wall anchor kit components



Additional items you may need for installing the wall anchor



- Note that the use of wall anchor kit may only reduce, but not eliminate the risk of tipover.
- Note for safe mounting, it is essential to use wall anchors appropriate to your wall type (e.g., drywall, brick, plaster).
- Note wall mount to wood studs whenever possible.
- Note for attaching to other specific wall types, or for additional wall fastener questions, please consult a qualified professional. Zinus instructions and provided hardware are meant for Hard brick or cement wall mounting.
- Note to periodically check that all fasteners are tight and free of damage, replace as necessary.

Read first, enjoy forever

Assembly tips

- Assemble your product on a level surface and lay something soft underneath to protect potential floor damage.
- Don't over tighten screws. During assembly we recommend tightening to approximately 70% tightness. Only tighten hardware 100% when fully assembled.
- Keep children away from assembly area as bags and small parts can pose a choking hazard.
- Make sure you have enough space to layout parts before starting. We recommend assembling your item in its final location.
- Do not stand on or put weight on the parts as it may warp or damage product.
- We do not recommend the use of drills or power tools (unless specified) as it may damage the product or hardware. Use hand held screwdrivers only.
- It is best that two people assemble the product as some products may be too heavy for one person. Check this booklet for guidance.

Safety, care and maintenance

- To reduce the risk of injury, always secure storage furniture to walls and/or floors by using tip-over restraints.
- Never let children climb or hang on drawers, doors or shelves.
- To protect your product and your home, we recommend using coasters, placemats, rugs and other protective items.
- Screws may loosen over time. We recommend setting a reminder to tighten up every six months.
- Remove any liquid spills immediately using a clean cloth with mild detergent. Do not use bleach or abrasive cleaners. Always test any cleaning agent in an inconspicuous spot first to know if it is suitable.

Recycling

We hope that you love your product forever, but we know situations change. In the event that you wish to dispose of your product please consider some creative ways to give it a new home:

- If it's still in great shape, sell it on your favourite online marketplace!
- Give it a second life by affording it a fresh coat of paint.
- If you must dispose of it, why not donate it to your local charity or shelter for someone else to enjoy.

Important safety instructions

DANGER!

Children have died from furniture tip over.

Toppling Hazard Warning

- ALWAYS secure items with an anchor device.
- For safety reasons, we recommend you follow the provided instructions.
- When installed properly, the provided hardware may prevent the unit from tipping over unexpectedly.
- Never let children climb or hang on drawers, doors or shelves.
- NEVER open more than one drawer at a time.
- Place heavy items down low.
- For advice on suitable fastening devices, contact your local specialized dealer.

