



Combairsteam V6000 60

2304900015



Operating modes & features

- Hot air
- Hot air humid
- Hot air steaming
- Hot air eco
- Hot air with bottom heat
- Top bottom heat
- Bottom heat
- Top bottom heat humid
- Top bottom heat eco
- Steam
- Regenerate
- Grill
- Grill convection
- EasyCook
- Keep warm
- Recipes
- Wellness & Hygiene
- Vacuisine
- BakeOmatic
- Professional baking
- SoftRoast
- RegenerateOmatic
- Favourites (50 programs)
- Cleaning program
- Automatic cooling (door open)

Design

- Platinum mirror glass
- 80mm fascia panel
- AutoDoor
- Soft open/close door
- Dual enamel cavity with TopClean
- LED lighting

Interface

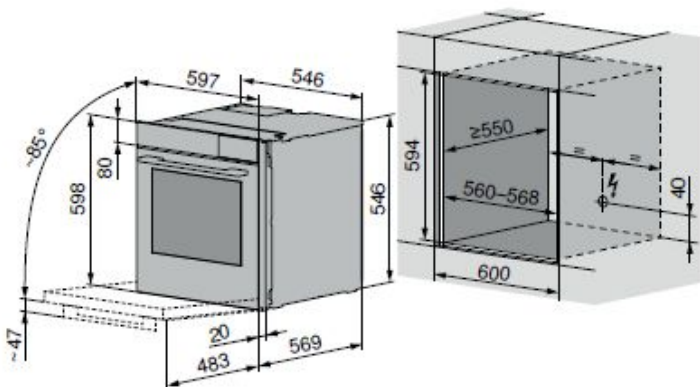
- Colour Touchscreen
- CircleSlider
- Personalisation
- Drag and drop
- App or Text display
- V-ZUG Home (WLAN)
- Languages (12)
- Acoustic signal

Accessories included

- Food probe
- Dual enamel tray
- Stainless steel tray
- Perforated tray
- Wire shelf
- Recipe book
- Descaler

Technical Data

CS6T-23049



Power Connection

- 220–240V ~ 50Hz

Connected Load

- 3700W

Fuse rating

- 16A

Cable Length

- 1.8m

Weight

- 40kg (empty)

Capacity

- 69 L