

ACD40A

4kg front-load dryer

SIZE mm

603W x 445D x 702H

FINISH

white enamel

CAPACITY

4kg

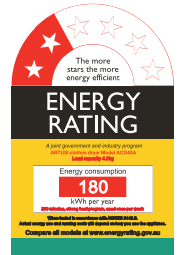
FEATURES

- PTC heating element (quick dry)
- stainless steel drum
- automatic overheat cutoff
- easy-to-clean double-layer flint filter
- high-speed rotating turbo fan
- automatic disinfection
- child safety lock
- auto stop when door opened
- upright floor mounted
- upside-down wall mounted
- total dry capacity 4kg
- white enamel
- inner drum speed: 50 rpm
- thermostat: 60°C
- centrifugal blast type motor
- mechanical controls
- input power: 800-1400W
- heating power: 700/1300W
- motor output power: 90W
- <6% residual water
- drying time setting: 0-200 minutes
- external dimensions: 603W x 445D x 702H
- drum dimensions: 560x304mm
- net weight: 20kg
- 4 x removable 30mmH legs
- spacer
- direct ducting: rear vent for optional fitting of supplied flexible ducting kit
- one-way drum rotation

POWER

220-240 V, 50Hz

2.2m power cord with 3-pin 10 amp plug



DRYING CAPACITY	DRYING TIME	
	Regular (minutes)	Airing (minutes)
approx 1kg	approx 30	approx 55
approx 2kg	approx 60	approx 110
approx 3kg	approx 120	
approx 4kg	approx 200	

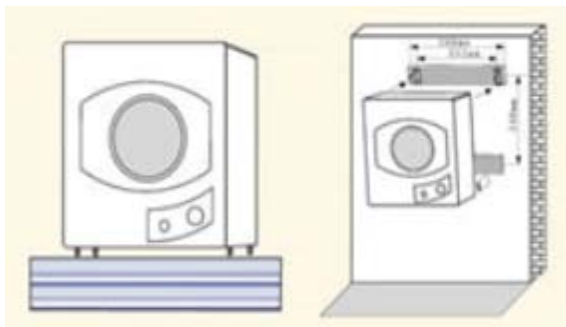
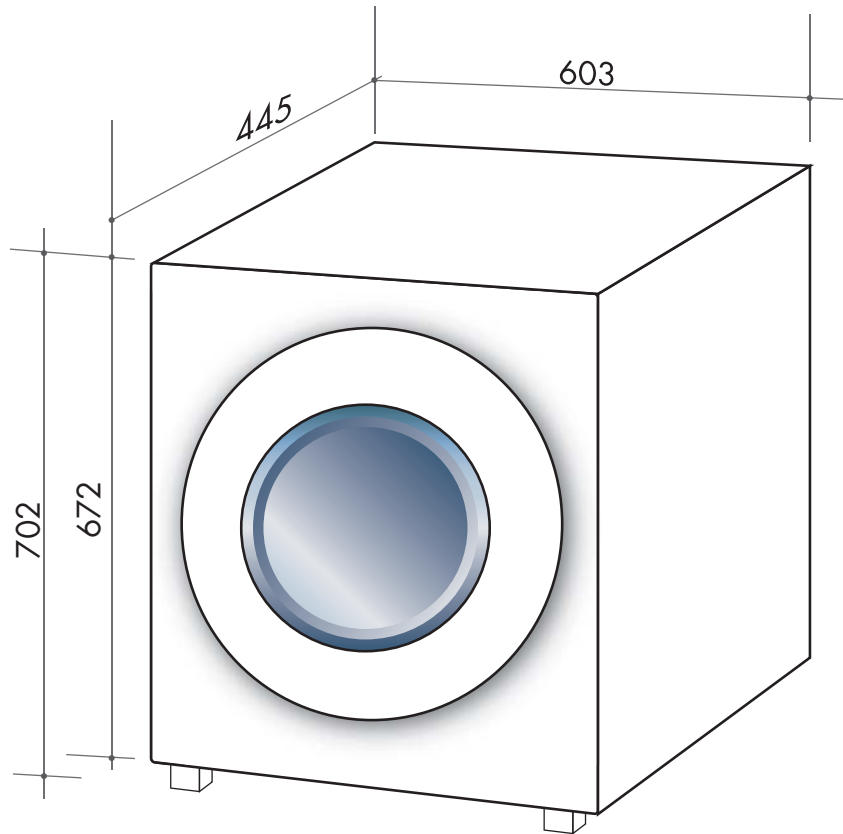
EAN 9347777000910

DISCLAIMER

Eurolinx Pty Ltd, trading as ARTUSI Appliances, is continually seeking ways to improve the design specifications, aesthetics and production techniques of its products. As a result alterations to our products and designs take place continually. Whilst every effort is made to produce information and literature that is up to date, this brochure should not be regarded as an infallible guide to the current specifications, nor does it constitute an offer for the sale of any particular product. Product dimensions indicated in our literature is indicative only. Actual product only should be used to define dimension cutouts. Distributors, and retailers are not agents of ARTUSI Appliances and are not authorized to bind ARTUSI Appliances by any express or implied undertaking or representation.

ACD40A

4kg front-load dryer



NB: drawings are not to scale — they are to be used as a guide only

Australia National Telephone Number 1300 694 583 New Zealand Telephone Number 0508 458 369
ARTUSI showrooms are open daily from 9am-5pm and Saturdays 10am-4pm

artusi.com.au

NSW & ACT
(head office)

48 Moore Street
Leichhardt
02 8569 4699

VIC | SA

1211 Toorak Road
CAMBERWELL
03 9809 2155

TASMANIA

3 Pear Avenue
DERWENT PARK 7009
03 6272 7386

QLD

1/42 Cavendish Road
COORPAROO
07 3397 0850

WA | NT

10/55 Howe Street
OSBORNE PARK
08 9201 9188

New Zealand

PO Box 11.160
Sockburn Christchurch
03 344 5913