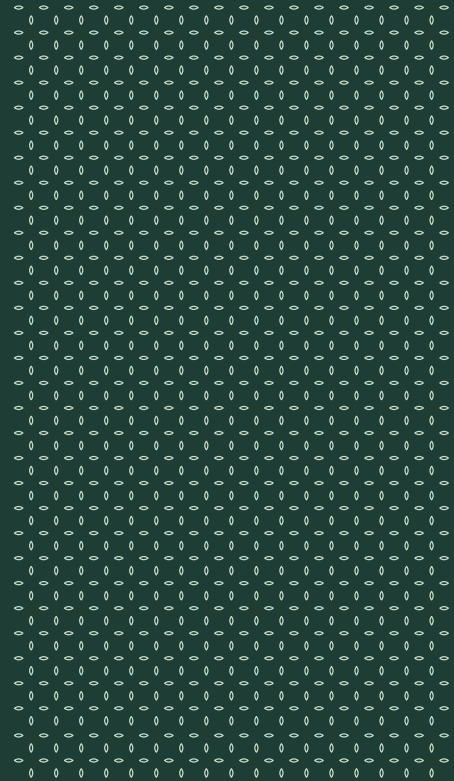
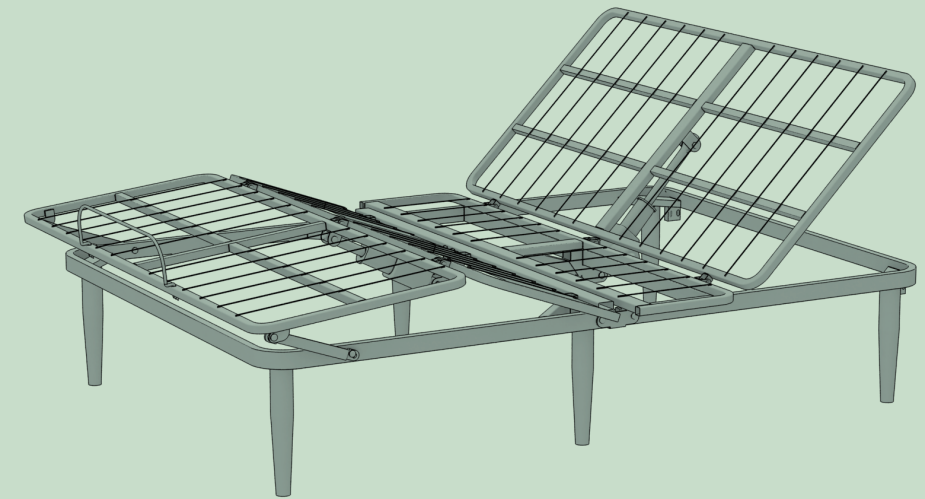


# Owner's Manual

## Adjustable Bedframe

SingleXL / Double / Queen sizes



# Contents

Return Policy	02
Safe Use & Operation Guidelines	02
Weight Restrictions	03
Product Rating	03
Components	03
Assembly Instructions	04
Remote Control	07
5-Year Warranty Statement for Manufacturing Defects	08

## Return Policy

Zinus believes you will absolutely love your Jared Adjustable Bedframe, but if for some reason you want to return the product, then please contact us directly before you decide to return your product to the retailer. Our customer service team can address most concerns and can assist you with any questions you may have about your new purchase.

**Please contact us first by emailing [Australianorders@zinusinc.com](mailto:Australianorders@zinusinc.com)**

The item must be returned in good condition, in original box, with all original proof of purchase, parts and accessories, within the time frame specified by the retailer it was purchased from.

## Safe Use & Operation Guidelines

**This bedframe is exclusively designed and manufactured for use indoors only.**

**Don't try to impress the neighbors with it on the patio – just saying!**

- Also, this bedframe is meant for residential use. As tempting as it may be to take your bed with you to a hospital, please note that it is not approved for hospital use.
- Using the bed with oxygen administering equipment other than the nasal masked type creates a possible fire hazard. So don't do it!
- Exercise caution when using a nasal or masked type administering equipment. Route and secure air tubing properly to ensure that it doesn't get entangled or damaged when you operate the bed.
- Keep moving parts free of obstruction during bed operation (including sheets, clothing, tubing, wiring, and products using electric power cords). Just the basic stuff!
- Obviously, you want to be careful when having liquids in or around the bed to ensure no spilling occurs. It could damage the bedframe, mattress et al. But life happens! And if you end up spilling, stand in a dry, clean area of the floor and unplug the bed immediately. Clean up spill (remember what your mama taught you) and allow the area around bed to dry thoroughly before using the electric controls again. If you aren't great at cleaning up, then we recommend that you just don't eat or drink hot liquids while operating the bed.
- Let kids be kids! So do the adult-like thing and don't allow them to operate the bed without supervision.
- While this bed is cool, it's not safe for gymnastics. So when you operate this bedframe, please make sure body is positioned within the confines of the bed. Even if you like living on the edge, please do not place extremities over the sides of the bed when operating bedframe functions.
- And do not weigh down any one part of your bed - distribute body weight evenly over bed surface during reposition and entering or exiting bed.



## Weight Restrictions

This product will structurally support weights up to **650lbs (295kgs)**.

This limit is inclusive of any mattress and bedding placed on it.

The bed will structurally support this weight, provided it is evenly distributed across the bedframe.

This product is not designed to support or lift this weight in the head or foot sections alone.

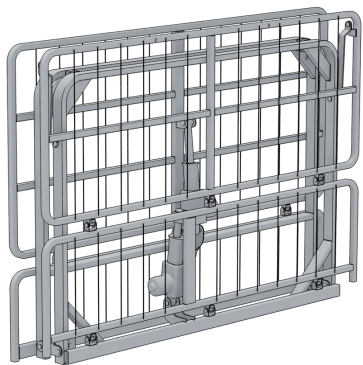
Exceeding the weight limit could damage the bed and/or cause injury and will void the warranty.

## Product Rating

The motors are not designed to operate continuously for more than **one (1) minute** in an **eight (8) minute** time period.

Attempting to exceed this rating will shorten the life expectancy of the bedframe and will void the warranty.

## Components



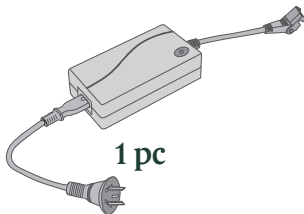
1 pc



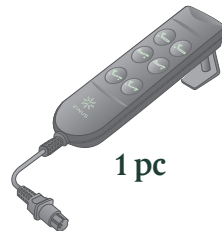
6 pcs



1 set



1 pc



1 pc

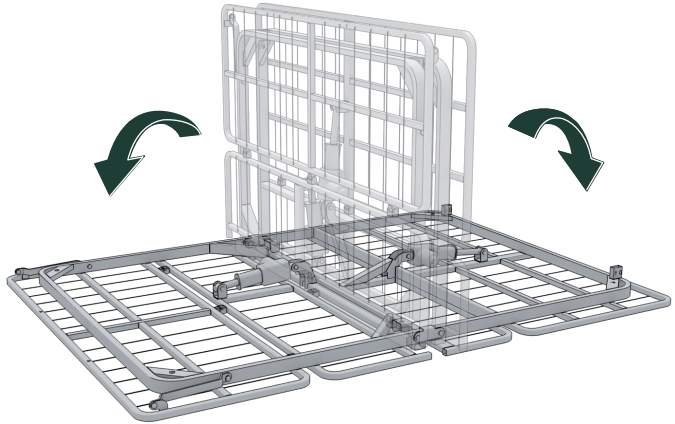


# Assembly Instructions

## Set up 1

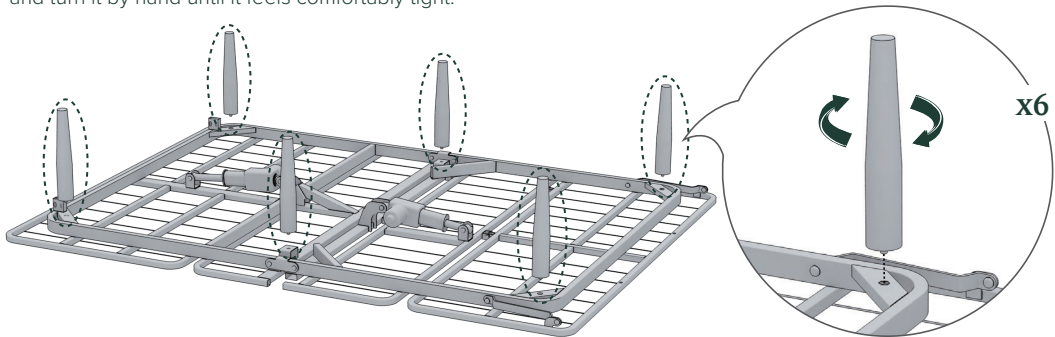
Team up! At least **two (2) people** are required to assemble this cool new adjustable bedframe.

Lay the box flat on your floor and carefully unfold the bedframe.



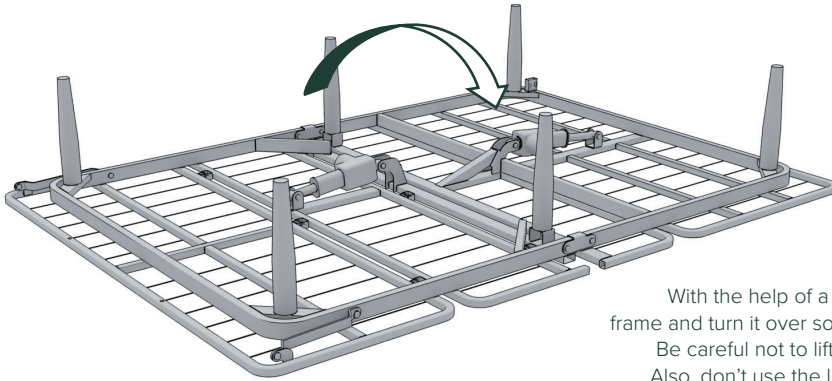
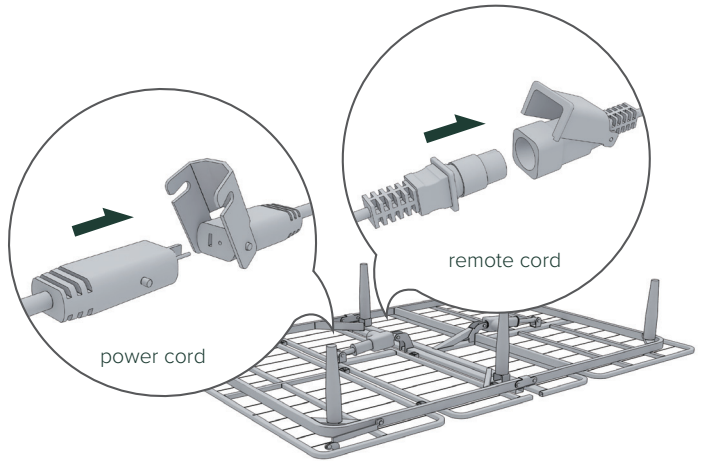
## Set up 2

To install the six (6) legs, thread the bolt of each leg into the frame and turn it by hand until it feels comfortably tight.



### Set up 3

Locate the receptacle cord on the underside of the bedframe. Plug the remote and power cords into it.

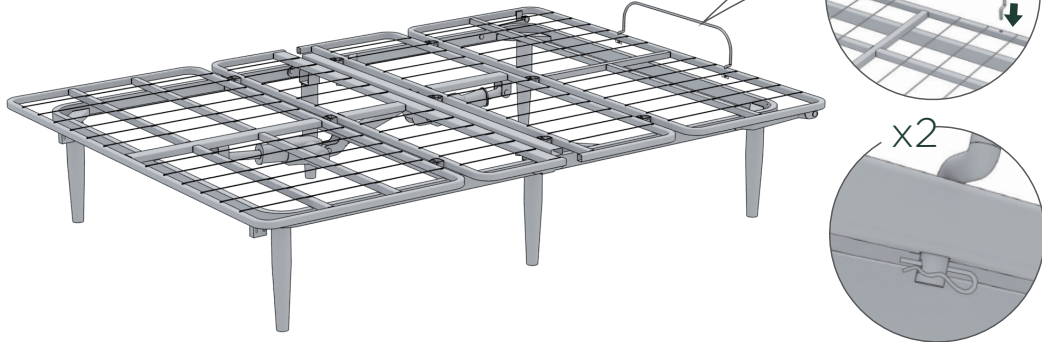


### Set up 4

With the help of a friend, lift the bed by the outer frame and turn it over so the mattress side is facing up. Be careful not to lift the bed by any moving parts. Also, don't use the legs as pivot points to practice your latest dance routine. All of these can damage your bedframe.

## Set up 5

To install the mattress retainer bar, insert its ends into holes at the foot of the bed. Use cotter pins to secure the retainer bar.



## Set up 6

Complete assembling your cool new bedframe by plugging the power cord into the wall outlet and use the remote to test what your new adjustable bedframe can do!

# Remote Control

## Overview

So, you're done with assembly and ready to explore everything you can do with your cool new adjustable bedframe. Here's a snapshot of what to expect!

**HEAD CONTROL**  
*(Raise)*

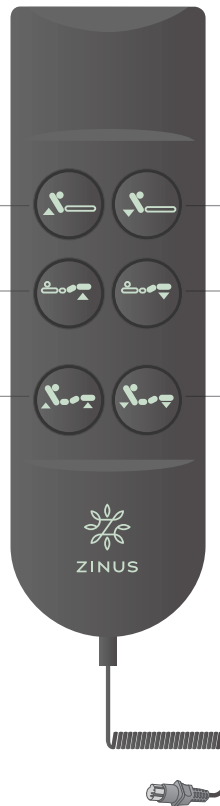
**HEAD CONTROL**  
*(Lower)*

**FOOT CONTROL**  
*(Raise)*

**FOOT CONTROL**  
*(Lower)*

**HEAD AND FOOT CONTROL**  
*(Raise)*

**HEAD AND FOOT CONTROL**  
*(Lower)*



## Adjustable



Raise and lower the HEAD section of the base.



Raise and lower the FOOT section of the base.



HEAD AND FOOT arrows simultaneously raise and lower the head and foot section of the base.

## 5-Year Warranty Statement for Manufacturing Defects

Please read this Limited Warranty carefully. To maintain your Warranty, you will need to comply with the conditions stated here. This warranty is for manufacturing defects only and does not cover damages as a result of misuse.

1. Please be sure to register your product at [www.zinus.com/resources/register](http://www.zinus.com/resources/register) to receive up to date warranty and product information.

2. The warranty starts on the date of purchase. No warranty will be honored without an original sales receipt. The warranty and financial responsibility of the manufacturer applies only to the product itself and does not extend to any mattress that is placed on the product.

3. Your new product comes with a 2-year full warranty and a 3-year limited warranty against manufacturing defects only and is administered according to the tiers set forth below:

**2-Year Full Warranty** During the period of two (2) years from the date of purchase, the manufacturer will offer replacement parts for any defective part to the purchaser at no cost to purchaser. The manufacturer shall bear all part(s) and shipping costs associated with the repair or replacement of the defective part(s).

**3-Year Limited Warranty** During the years three (3) through five (5) from the date of purchase, the manufacturer will offer replacement parts for any non-electronic mechanical bed parts (excluding electronics, electrical components, and drive motors) only. The manufacturer shall bear all authorized part(s) and shipping costs associated with the repair or replacement of the defective part(s).

4. Manufacturing defects include circumstances where the product has broken under normal use and no longer provides proper support for your mattress. Proper support is defined as a smooth, flat, rigid surface. In the event you encounter a manufacturing defect, please stop using this product immediately and contact customer service. Please note that it is not uncommon for some of the short metal welds to become loose in transit or during normal use. A manufacturing defect for these welds is considered to be 5 or more loose welds at the time of purchase. The manufacturer cannot be responsible for the consequences of improper assembly by the consumer.

5. This warranty applies only when the product has been properly used by consumers who purchased the product from authorized dealers as a new product. Proper use means using the product on a level surface where all legs touch the floor with an equal distribution of weight. Proper use also means that the product was not abused by the consumer, as defined by the manufacturer. This warranty does not constitute an agreement to replace other parts.

6. If the product fails due to manufacturing defects, the manufacturer will repair or replace at its discretion and reserves the right to substitute comparable materials or models and does not guarantee that the replacement part will aesthetically match the existing piece or product.

7. In the event the product needs to be inspected by the manufacturer to determine a warranty claim, the transportation cost or remove cost shall be borne by the consumer.